



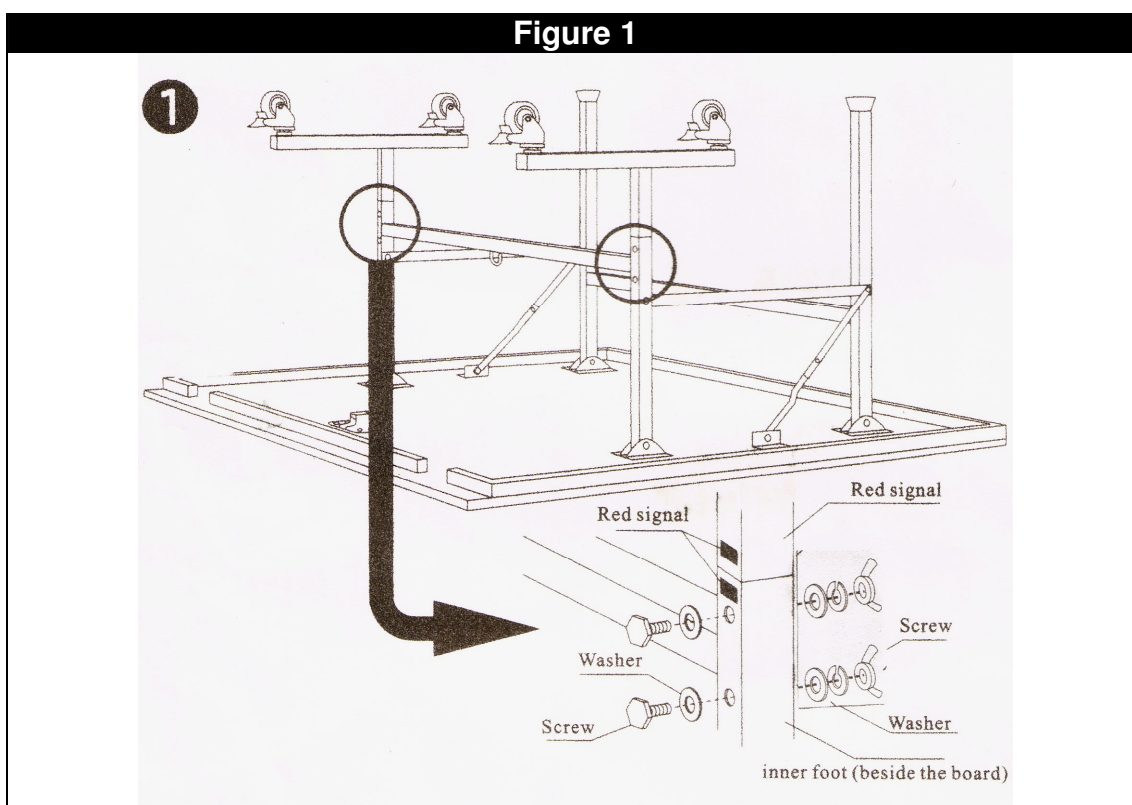
TTTOD15 TABLE TENNIS TABLE ALL WEATHER

Instruction Manual

Model No: TTTOD15 TABLE TENNIS ALL WEATHER

Assembly Instructions

Unlock and unfold the pre assembled frame underneath the table top. Lock the legs into position ensuring the leg hinge is straight. Then slide the 'T' leg (The "T" bar with the wheels on the base) into the designated position and ensure the designated markings line up on each side, see figure 1.



Preparation for use

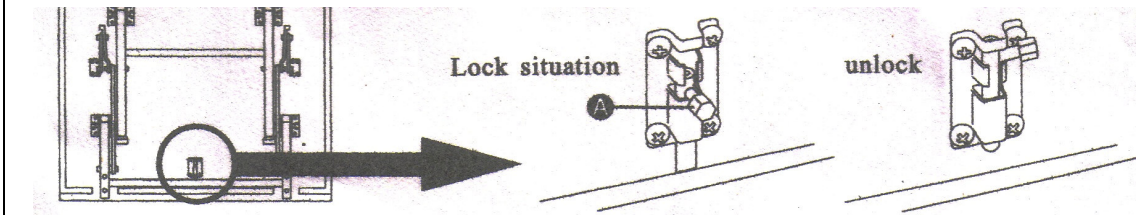
1. Open the carton and check to ensure all accessories and fittings are complete.
2. Install 'T' rolling leg according to figure 1 above
3. Tighten all screws and turn table up the right way ready for use.

Care and Maintenance for use of your Table

1. Ensure the two sides of the table are separated before folding or opening.
2. Do not leave the table outdoors.
3. Do not hit the surface of the table with the paddles.
4. Do not place hot goods on the table top.
5. Do not place heavy goods on the table as this may cause distortion.
6. Do not use the table for any other exercise other than table tennis.
7. Do not move the table around quickly on rugged ground.
8. Keep the table in a dry and well ventilated place to avoid exposure to sun and rain.

Operation Method

Security Lock Operation

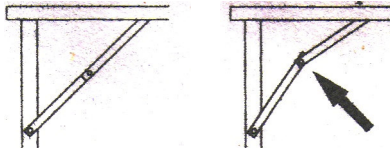


Release the lock before opening the Table Tennis Table and lock it prior to folding the table.

Leg Hinge

When in use

When Collapsing

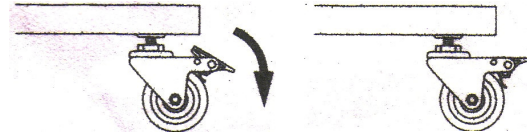


Straighten hinge when using table and collapse hinge to fold table.

Wheel Operation

Locked

Unlocked



Lock wheel tightly when using table and unlock for moving and storing.

Height Adjusting Method

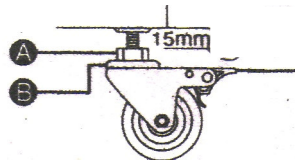
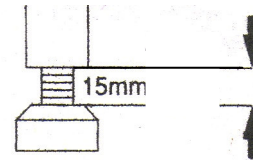


Figure 5

The wheel height can be adjusted to a maximum of 15mm.

To adjust the table height at wheel, screw part A (as seen in figure 5) anti-clockwise to raise table, and Part B clockwise to lower table.

All feet can be adjusted slightly to ensure a level playing surface.



The foot height can also be adjusted to a maximum of 15mm.

To adjust table height at the foot, screw foot anti-clockwise to raise, and Clockwise to lower

Playback Instructions

1. To put the table tennis table into the Playback position, lift up one side of the table as seen in Figure 6
2. When the table is lifted ensure that the legs are folded up against the back of the table and locked into position.

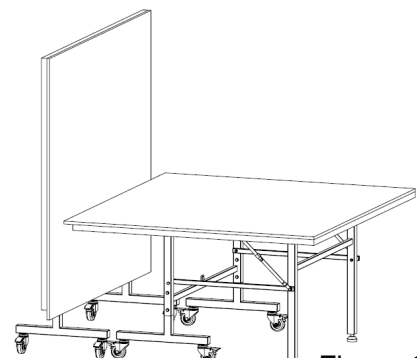


Figure 6



WARRANTY INFORMATION

TABLE TENNIS TABLES

IMPORTANT

Please read and retain this manual as it will assist with identification for parts and service.

TABLE TENNIS TABLES

Limited Warranty

ACTION SPORTS warrants its table tennis tables to be free from defects in material and workmanship under normal use and service conditions for a period of **6 months** from the date of purchase of this article. Evidence of unfair usage or incorrect adjustment by the owner will void this promise.

All warranty coverage extends only to the original retail purchaser from the date of purchase. ACTION SPORTS obligation under this Warranty is limited to replacing or repairing the product, at the discretion of our authorised service centre. Any enquiries relating to warranties or spare parts must first be directed to our **Freecall 1800 465 070** who will then assist you in the appropriate action to be taken. For efficient processing of your enquiry please have proof of purchase, retailer name you purchased the item from and the brand on the product.

This warranty does not extend to any damage to a product caused by abuse, improper or abnormal usage, or repairs not provided by ACTION. Nor does this warranty extend to products used for commercial or rental purposes. This warranty does not cover ordinary wear, tear and weathering, failure to follow directions, improper installation, improper maintenance or acts of God (such as damage caused by storms, lightning and by snow or ice). No other Warranty beyond that specifically set forth above is authorised by ACTION.

Our sales and service centre has been set up to provide assembly assistance, replacement parts and accessories, and to efficiently handle all warranty related matters.

Freecall 1800 465 070
9:00am – 5:00pm Monday to Friday (excluding Public Holidays)
9:00am – 3:00pm Saturdays
www.actionsports.com.au