



# Spinning Seesaw

B02855 / S002452A

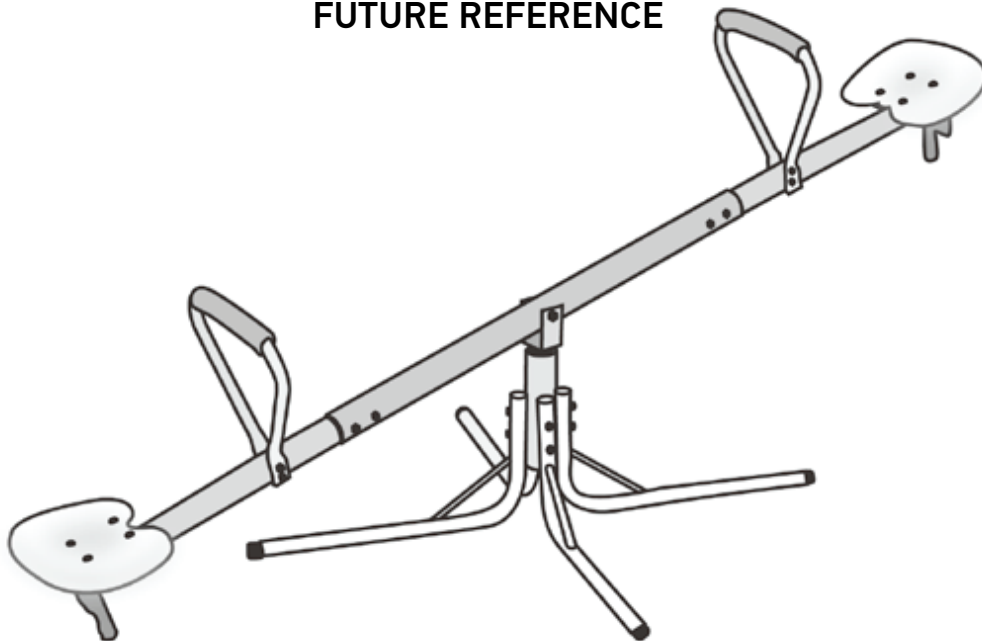
Instruction Manual

## ATTENTION!

SAFETY INFORMATION, INSTALLATION, CARE AND MAINTENANCE INSTRUCTIONS

READ PRIOR TO ASSEMBLING AND USING THE SEESAW

THE ASSEMBLY AND INSTALLATION INSTRUCTIONS SHOULD BE KEPT FOR  
FUTURE REFERENCE



**WARNING:** To ensure everyone's safety, please do not attempt to assemble this seesaw without reading this instruction manual carefully. Failure to comply with this warning may result in injury and/or property damage.

- Prior to assembly, this seesaw includes small parts/accessories that are not suitable for children under 3 years of age as they may cause a choking hazard.
- This seesaw should be assembled by 2 adults.
- Only use this seesaw on a soft, flat level surface.
- **This seesaw has a maximum user weight of 34kg per unit/seat. The total weight on the seesaw at any time must not exceed 68kg.**
- **Only one child per unit/seat at any time.**
- This seesaw is suitable for children 3-9 years of age.
- This seesaw is designed for outdoor domestic use only, it is not intended for commercial use in play centres, nurseries etc

For parts and service enquiries, please contact our National Service Centre on 1300 777 137 or e-mail [service@unclebills.com.au](mailto:service@unclebills.com.au)

Online Product  
Information  
Available Here



# Contents

---

- 3** Important Safety Information
- 4** Parts List
- 5** Assembly Instructions
- 8** Warranty Information

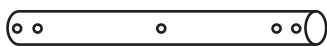
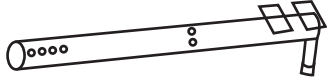

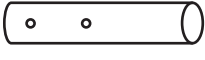




# Important Safety Information




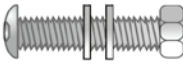
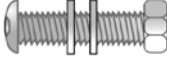

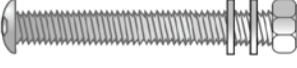

---

To reduce the risk of serious injury, read the entire manual before you assemble or use this seesaw. In particular, please note the following safety precautions. Failure to assemble and maintain this product correctly may cause injury to the user.

1. Prior to assembly, this seesaw includes small parts/accessories that are not suitable for children under 3 years of age as they may cause a choking hazard.
2. This seesaw is designed for domestic use only, it is not intended for commercial use in play centres, nurseries, etc.
3. This seesaw is designed for use by children 3-9 years of age weighing no more than 34kg per child, total 68kg.
4. Place the seesaw on a level surface before use. Do not install this product over concrete, asphalt or any other hard surface.
5. There should be at least 2m of space surrounding the seesaw from any structure of obstruction such as a fence, garage, house, wall, overhanging branches, laundry lines, electrical wires, etc.
6. Regularly check the seesaw for wear and damage, replace any worn or damaged parts immediately. Remove the seesaw from use until replacement parts are fitted. Check all hardware regularly and tighten when required.
7. Do not overtighten the nuts and bolts. Use hand tools only, do not use power tools as this can weaken the connection points.
8. Children must be supervised by an adult at all times when the seesaw is in use.
9. Only 1 child should use each seat at any time.
10. Do not use the seesaw when it is wet as it will become slippery and serious injury may result.
11. Do not climb on or jump from the seesaw when it is in motion.
12. Do not climb or hang on the frame or seats of the seesaw.
13. Do not allow additional foreign objects to be attached or used with the seesaw.
14. Do not walk close to, in front of or behind the seesaw when in use as moving units can cause serious injury.
15. Do not wear apparel such as hats with straps, helmets, scarves, garments with pull strings or any other item of loose clothing while using the seesaw as children can get trapped and may be unable to free themselves causing serious injury.
16. This product is intended for outdoor use only.
17. The maximum fall height for this product is 70cm.

# Parts List

Part No.	Description	Qty
1	 Centre Bar	1
2	 End Bar	2
3	 Upper Support Tube	1
4	 Lower Support Tube	1
5	 Leg A (lower holes)	2
6	 Leg B (higher holes)	2
7	 Handle Bar	2
8	 Seat	2

Part No.	Description	Qty
9	 Spanner	1
10	 Allen Key	1
S1	 M6x25mm Bolt	8
S2	 M6x70mm Bolt	4
S3	 M6x52mm Bolt	4
S4	 M6x63mm Bolt	1
S5	 M6x94mm Bolt	4
S6	 Spacer	2

**Note:** Some parts may be supplied pre-assembled.

**Ruler - Use this ruler to help correctly identify the hardware**



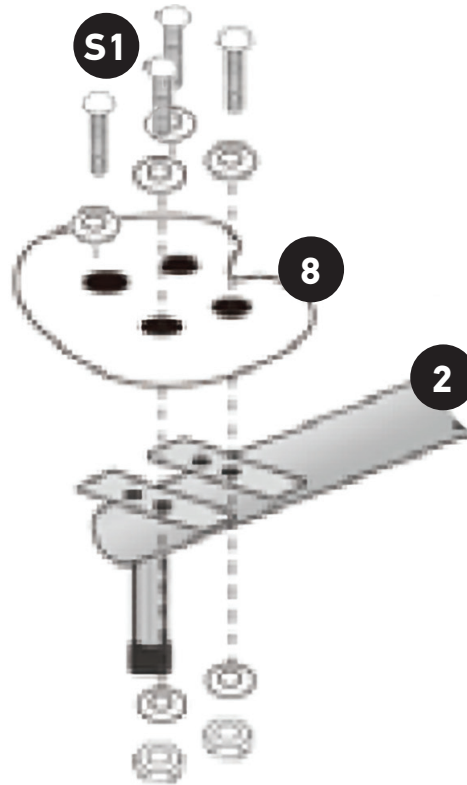
# Assembly Instructions

Prior to assembling this seesaw, remove all parts from the carton and check to ensure that all parts listed in the Parts List (on page 4) are present. If you're missing any of the parts, please call our National Service Centre to have replacement parts sent out prior to beginning assembly (details can be found in the warranty pages at the end of this manual).

## Step 1

Attach Seat (8) to End Bar (2) using M6x25mm Bolts (S1).

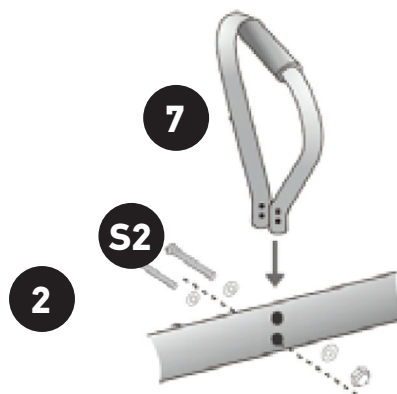
Repeat for the other side.



## Step 2

Attach Handle Bar (7) to End Bar (2) using M6x70mm Bolts (S2).

Repeat this for the other side.



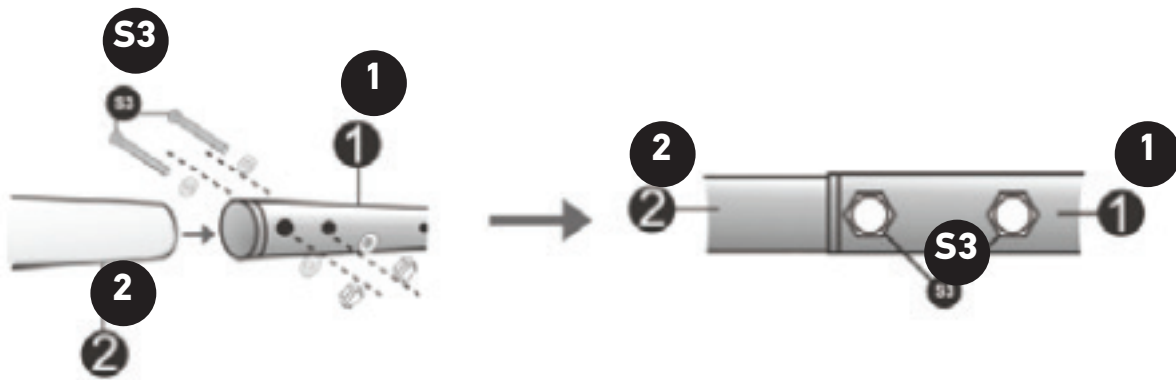
# Assembly Instructions (cont.)

## Step 3

Place the End Bars (2) into the Centre Bar (1) and secure these into place using M6x52mm Bolts (S3).

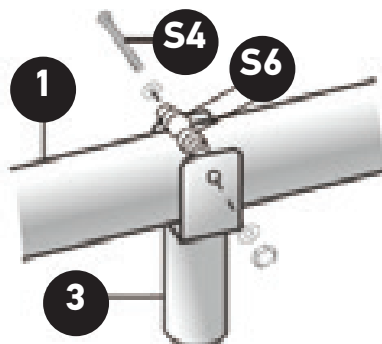
**Note:** The end bars can be set to the desired length by adjusting which 2 holes of the end bar are used to secure these to the centre bar.

**Warning:** Each end bar must be secured into place using 2 bolts, failure to comply with this warning may result in serious injury to the user.



## Step 4

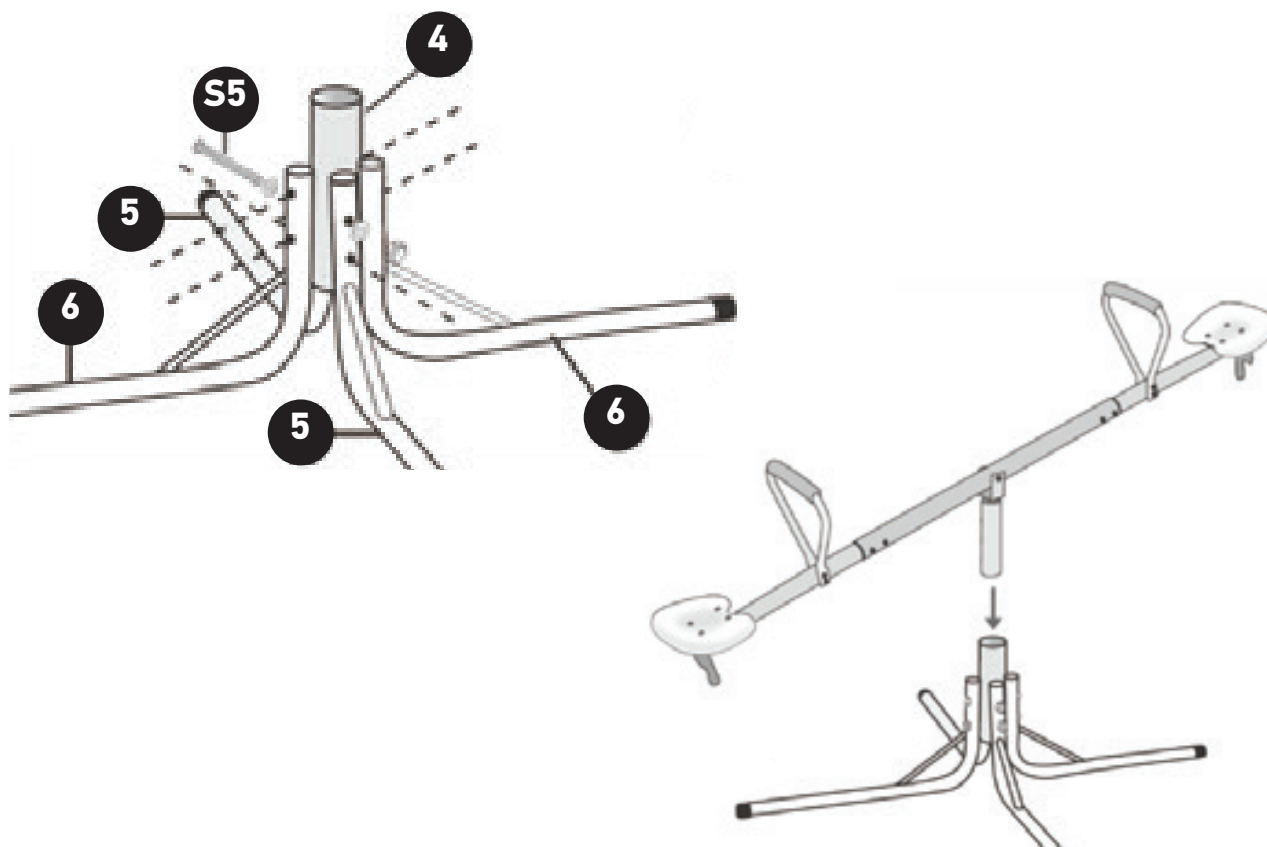
Attach the Centre Bar (1) to the Upper Support Tube (3) by placing Spacer (S6) between the bar and the tube and securing it into place using the M6x63mm Bolt (S4).



# Assembly Instructions (cont.)

## Step 5

Attach Legs A (Lower Holes) (5) to opposite sides of the Lower Support Tube (4) using M6x94mm Bolts (S5).  
Attach Legs B (Higher Holes) (6) to opposite sides of the Lower Support Tube (4) using M6x94mm Bolts (S5).  
Slide the Upper Support Tube (3) into the Lower Support Tube (4).



## Product Safety Checks And Maintenance:

Carry out checks and maintenance of the main parts at regular intervals. If these checks are not carried out, the toy could overturn or otherwise become a hazard.

Apply lubricant to all metal moving parts.

Check the sharp edges of all protective covers and bolts, and replace them if necessary.

Polish rusty areas and tubular parts and repaint them with lead-free paint if necessary.

# Warranty Information

---

## **Congratulations on your purchase!**

This **Action Spinning Seesaw** is warranted to be free from defects in material and workmanship under normal use and service conditions for a period of **12 months**, from the date of purchase of this article. Evidence of unfair usage or incorrect adjustment by the owner will void this promise.

Our goods come with guarantees that cannot be excluded under the Australian Consumer Law. You are entitled to a replacement or refund for a major failure and for compensation for any other reasonably foreseeable loss or damage. You are also entitled to have the goods repaired or replaced if the goods fail to be of acceptable quality and the failure does not amount to a major failure.

The benefits conferred by this warranty are in addition to the consumer guarantees and other rights and remedies in respect of the product which the consumer has under the Australian Consumer Law.

## **Conditions of Warranty**

All warranty coverage extends only to the original retail purchaser from the date of purchase. Please keep your receipt, tax invoice or other proof of purchase.

This warranty does not extend to any damage to a product caused by abuse, improper or abnormal usage, or repairs not provided by us or our National Service Centre. Nor does this warranty extend to products used for commercial or rental purposes. This warranty does not cover ordinary wear, tear and weathering, failure to follow directions, improper installation, improper maintenance or acts of God (such as damage caused by storms, lightning, heavy winds and by snow or ice).

## **Making A Warranty Claim**

In order to make a claim under this warranty please direct your enquiries to our National Service Centre. You can contact them on our **Freecall 1300 777 137** number or send mail to them at National Service Centre: 48B Egerton Street, Silverwater, NSW 2128 – if mailing please include your contact details.

A service representative will then assist you in the appropriate action to be taken. For efficient processing of your enquiry please have proof of purchase, the date of purchase, the retailer name you purchased the item from, and the brand on the product. Photos of the product, and scans of receipts, may be requested to assist with your claim.

# Warranty Information (cont.)

---

The National Sales and Service Centre representative will assess the claim. If:

- 1) **There is a minor fault**, they can offer either a replacement spare part, replacement unit, repair or other suitable remedy.
- 2) **There is a major fault**, they can offer a replacement, repair or suggest you return to the store you purchased it from for a full refund.

**Please NOTE:** a request for compensation will need documentary evidence of the loss or damage suffered. It will also need to be evidenced that such a loss was a reasonably foreseeable result of a failure to comply with a consumer guarantee under the Australian Consumer Law.

- 3) **The product was damaged through abnormal use**, no refund or repair can be offered.

The sending of replacements, spare parts or the cost of repair carried out will be organised and covered by the National Service Centre. If collection of the item is required this will be organised by the National Service Centre and at our expense. Do not return any products without authorisation as this will be at your expense.

Our National Sales and Service Centre has been set up to provide assembly assistance, replacement parts and accessories, and to efficiently handle all warranty related matters. Please note upon receiving your warranty claim our National Service Centre will send, via post or email, a repair and refurbished goods or parts notice.

## NATIONAL SERVICE CENTRE

**Contact details and hours of operation.**

**Freecall 1300 777 137**

9:00am – 4:30pm Monday to Friday (excluding Public Holidays)

9:00am – 3:00pm Saturday

**This product is warranted and distributed by:**

**Uncle Bills Australia of 48B Egerton St, Silverwater NSW, 2128**

**Phone: (02) 8799 3500**

© 2026 Uncle Bills Pty Ltd.

Version No: 2

Issue Date: 16 March 2026