

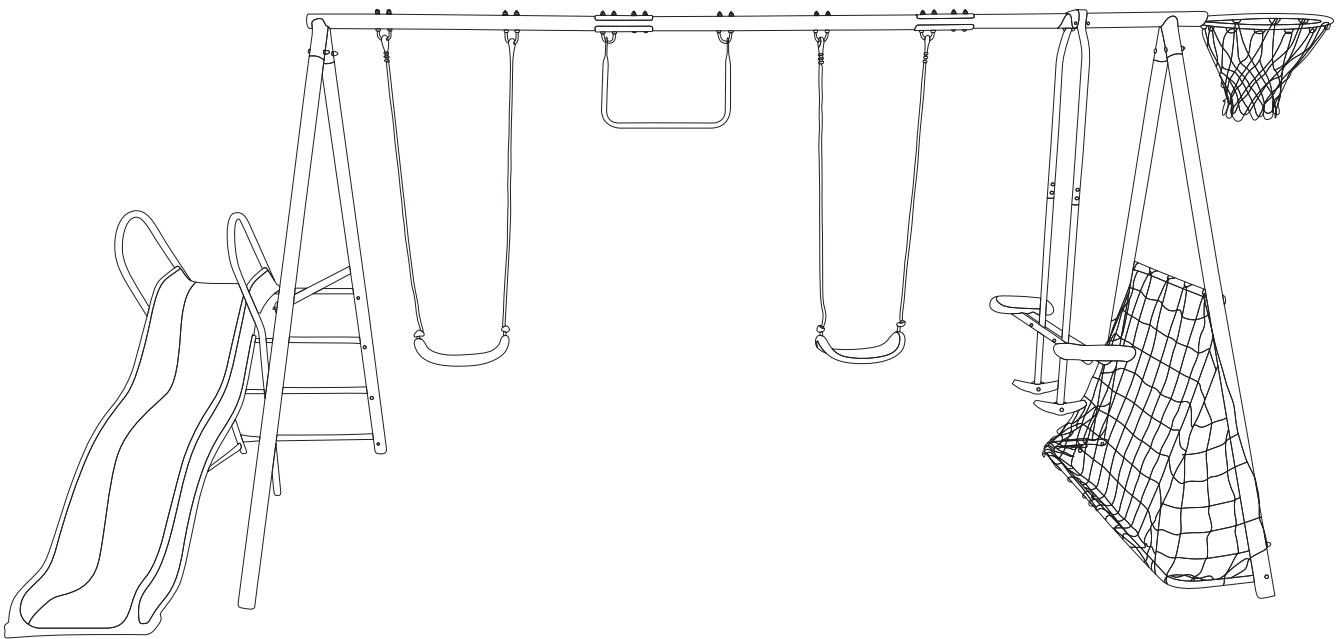
Action

7 Station Swing Set

S002591/ B02830K
Instruction Manual

ATTENTION!

SAFETY INFORMATION, INSTALLATION, CARE AND MAINTENANCE INSTRUCTIONS
READ PRIOR TO ASSEMBLING AND USING THE SWING SET



WARNING: To ensure everyone's safety, please do not attempt to assemble this swing set without reading this instruction manual carefully. Failure to comply with this warning may result in injury and/or property damage.

- Prior to assembly, this swing set includes small parts/accessories that are not suitable for children under 3 years of age as they may cause a choking hazard.
- This swing set should be assembled by 2 adults.
- Only use this swing set on a soft, flat level surface
- **This swing set has a maximum user weight of 45kg per unit/seat. The total weight on the swing set at any time must not exceed 270kg.**
- **Only one child per seat at any time.**
- This swing set is suitable for children 3-9 years of age.
- This swing set is designed for outdoor domestic use only, it is not intended for commercial use in play centres, nurseries, etc.

For parts and service enquiries, please contact our National Service Centre on 1300 777 137 or e-mail service@unclebills.com.au

Online Product
Information
Available Here



Contents


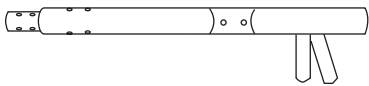
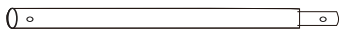



- 3** Important Safety Information
- 4** Parts List
- 6** Hardware List
- 7** Slide Parts List
- 9** Assembly Instructions
- 21** Product Safety Checks And Maintenance
- 22** Warranty Information

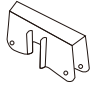





Important Safety Information

To reduce the risk of serious injury, read the entire manual before you assemble or use this swing set. In particular, please note the following safety precautions. Please keep this manual in a safe place for future reference. Failure to assemble and maintain this product correctly may cause injury to the user.

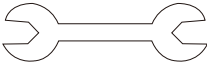
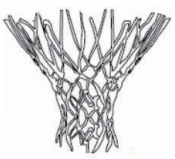
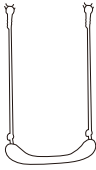



1. Prior to assembly, this swing set includes small parts/accessories that are not suitable for children under 3 years of age as they may cause a choking hazard.
2. This swing set should be assembled by 2 adults.
3. This swing set is designed for domestic use only, it is not intended for commercial use in play centres, nurseries, etc.
4. This swing set is designed for use by children 3-9 years of age.
5. This swing set has a maximum user weight of 45kg per seat, totalling 270kg across the entirety of the swing set.
6. Do not install this product over concrete, asphalt or any other hard surface.
7. Do not orientate the swing set directly towards the sun.
8. There should be at least 2m of space surrounding the swing set from any structure of obstruction such as a fence, garage, house, wall, overhanging branches, laundry lines, electrical wires, etc.
9. Regularly check the swing set for wear and damage, replace any worn or damaged parts immediately. Remove the swing set from use until replacement parts are fitted. Check all hardware regularly and tighten when required.
10. Do not overtighten the nuts and bolts. Use hand tools only, do not use power tools as this can weaken the connection points.
11. The minimum distance between any swing and the ground is 35cm.
12. Swings must not exceed an angle of 60° from the ground.
13. Children must be supervised by an adult at all times when the swing set is in use.
14. Only one child should use the swing at any time.
15. Do not stand on the seats when using the swing set.
16. Do not use the swing set when it is wet as it will become slippery and serious injury may result.
17. Do not climb on or jump from the swing set when it is in motion.
18. Do not climb or hang on the frame of the swing set.
19. Do not allow additional foreign objects to be attached or used with the swing set.
20. Do not walk close to, in front of or behind the swing set when in use as moving units can cause serious injury.
21. Do not wear apparel such as hats with straps, helmets, scarves, garments with pull strings or any other item of loose clothing while using the swing set as children can get trapped and may be unable to free themselves causing serious injury.
22. Do not twist swing ropes or wrap them over the top bar.
23. Anchors shall be placed level with or under the ground in order to reduce tripping hazards.
24. The maximum fall height for this overall product is 180cm.
The maximum fall height for the slide is 81cm.


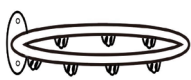
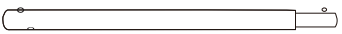



Parts List

Part No.	Description	Qty
1	 Top Bar A	1
2	 Top Bar B	1
3	 Top Leg	4
4	 Top Bar C	1
5	 Bottom Leg	1
6	 Side Stay Bar	2


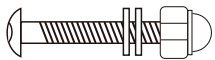
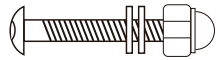

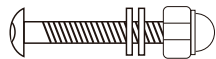

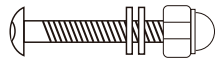






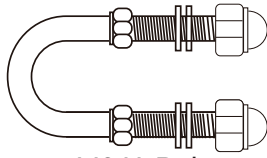
Part No.	Description	Qty
7	 Glide Bracket	1
8	 Glider Handle Tube	2
9	 Glider Leg	2
10	 Glider Seat Tube	2
12	 Glider Seat	2
13	 Glider Footrest	2

Parts List (cont)

Part No.	Description	Qty
14	 Spanner	1
15	 Netball	1
16	 Swing Seat	2
17	 Soccer Goal Net	1
18	 Plain Bottom Leg B	1
37	 Soccer Goal Bottom Tube A	1

Part No.	Description	Qty
38	 Soccer Goal Bottom Tube B	1
40	 Netball Ring	1
42	 Plain Bottom Leg C	2
46	 Trapeze	1
47	 Allen Key	1
51	 Short Bracket	4

Hardware List



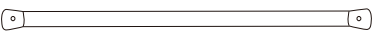

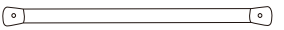
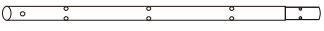




Part No.	Description	Qty	Part No.	Description	Qty
C14	 M8x65mm Bolt	4	G5	 M6x42mm Bolt	2
F2	 M8x59mm Bolt	4	G6	 M6x38mm Bolt	8
F4	 M6x63mm Bolt	4	G7	 M6x20mm Bolt	2
G1	 M6x47mm Bolt	3	G8	 Thin Plastic Spacer	4
G2	 M8x43mm Bolt	2	G9	 Thick Plastic Spacer	4
G3	 M6x81mm Bolt	2	G10	 M6x35mm Bolt	4
G4	 M8x83mm Bolt	2	S1	 M8 U-Bolt	6



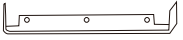
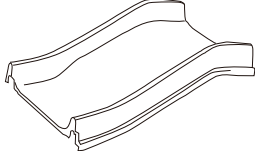
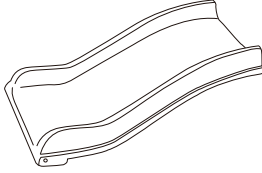
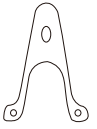


Note: Some parts may be supplied pre-assembled.

Ruler - Use this ruler to help correctly identify the hardware

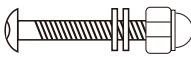











Slide Parts List

Part No.	Description	Qty
19	 Top Ladder Rung	1
20	 Chute Side Stay Bar	1
21	 2nd Ladder Rung	1
22	 3rd Ladder Rung	1
23	 Bottom Ladder Rung	1
24	 Ladder Leg	1
25	 Ladder Handle	2
26	 Ladder Handle	1
27	 Lower Support Tube	2
28	 Ladder Handle	1

Part No.	Description	Qty
29	 Support Strap	2
30	 Support Strap	1
31	 Support Strap	1
32	 Upper Slide	1
33	 Lower Slide	1
34	 Connector	4
35	 Ground Pegs	5
36	 Upper Support Tube	2

Slide Parts List (cont)

Part No.	Description	Qty
F1a	 M6x20mm Bolt	6
F1b	 M6x17mm Bolt	3
F2a	 M6x66mm Bolt	2
F3	 M6x35mm Bolt	8
C1	 M6x60mm Bolt	2

Part No.	Description	Qty
C2	 M6x63mm Bolt	4
C3	 M6x40mm Bolt	5
C5	 M6x58mm Bolt	2
C6	 M6x62mm Bolt	4
C8	 M6x73mm Bolt	4

Assembly Instructions

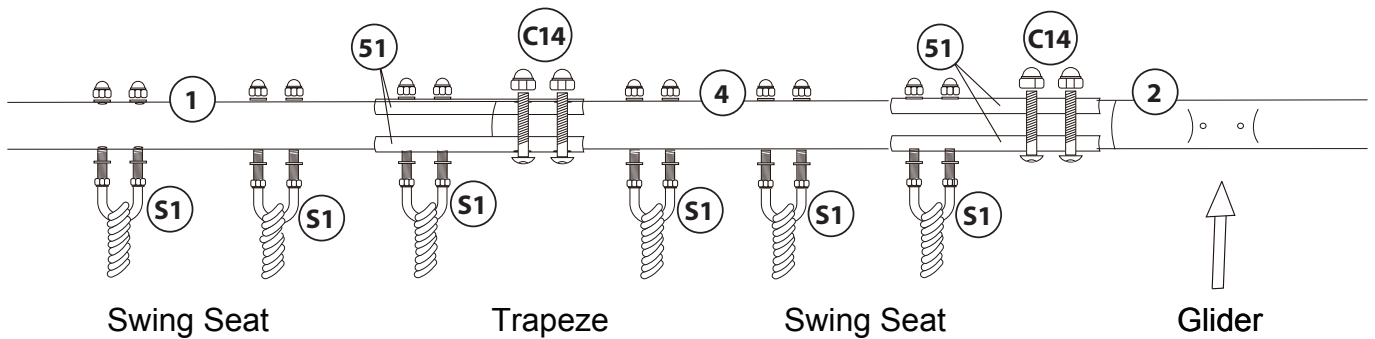
Prior to assembling this swing set, remove all parts from the carton and check to ensure that all parts listed in the Parts List and Hardware List (on pages 4-8) are present. If you're missing any of the parts, please call our National Service Centre to have replacement parts sent out prior to beginning assembly (details can be found in the warranty pages at the end of this manual).

Note: It is recommended that 2 adults assemble this swing set.

Step 1

Note: Remember to attach the rope/swing bearing to the U-bolts.

Note: Should the rope come off the rope/swing bearing during use please replace back on top of the rope/swing bearing. Ensure that at least 3 threads from M8 U Bolt (S1) protrude from the top.

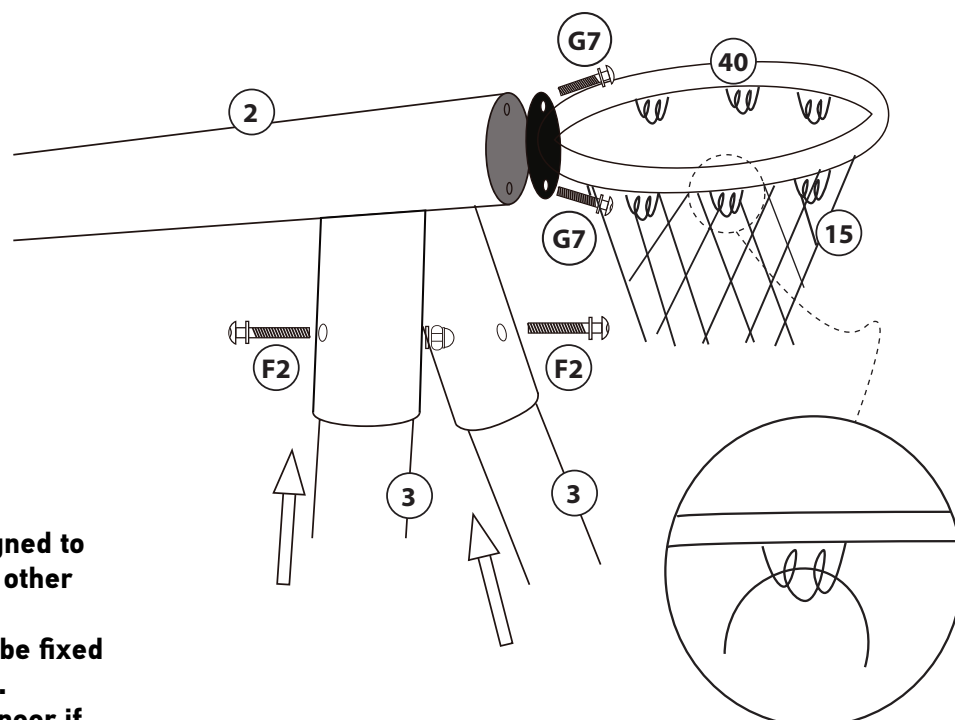
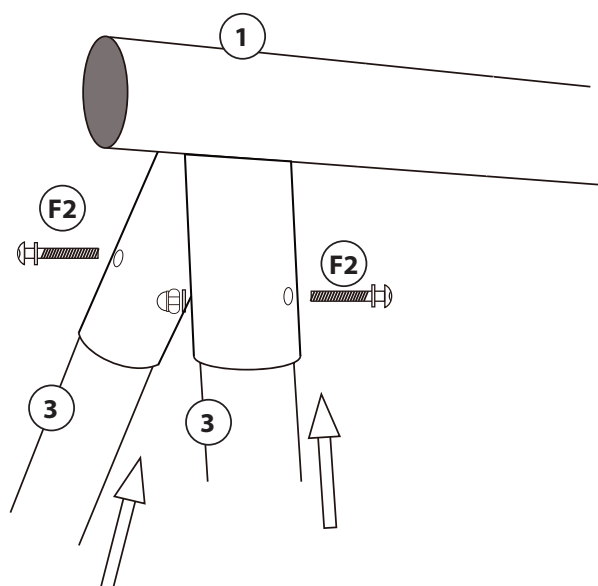


Note: Do not fully tighten all the bolts before full assembly.

Assembly Instructions (cont)

Step 2

Note: Take the netball 15 and hook over the loops 40.

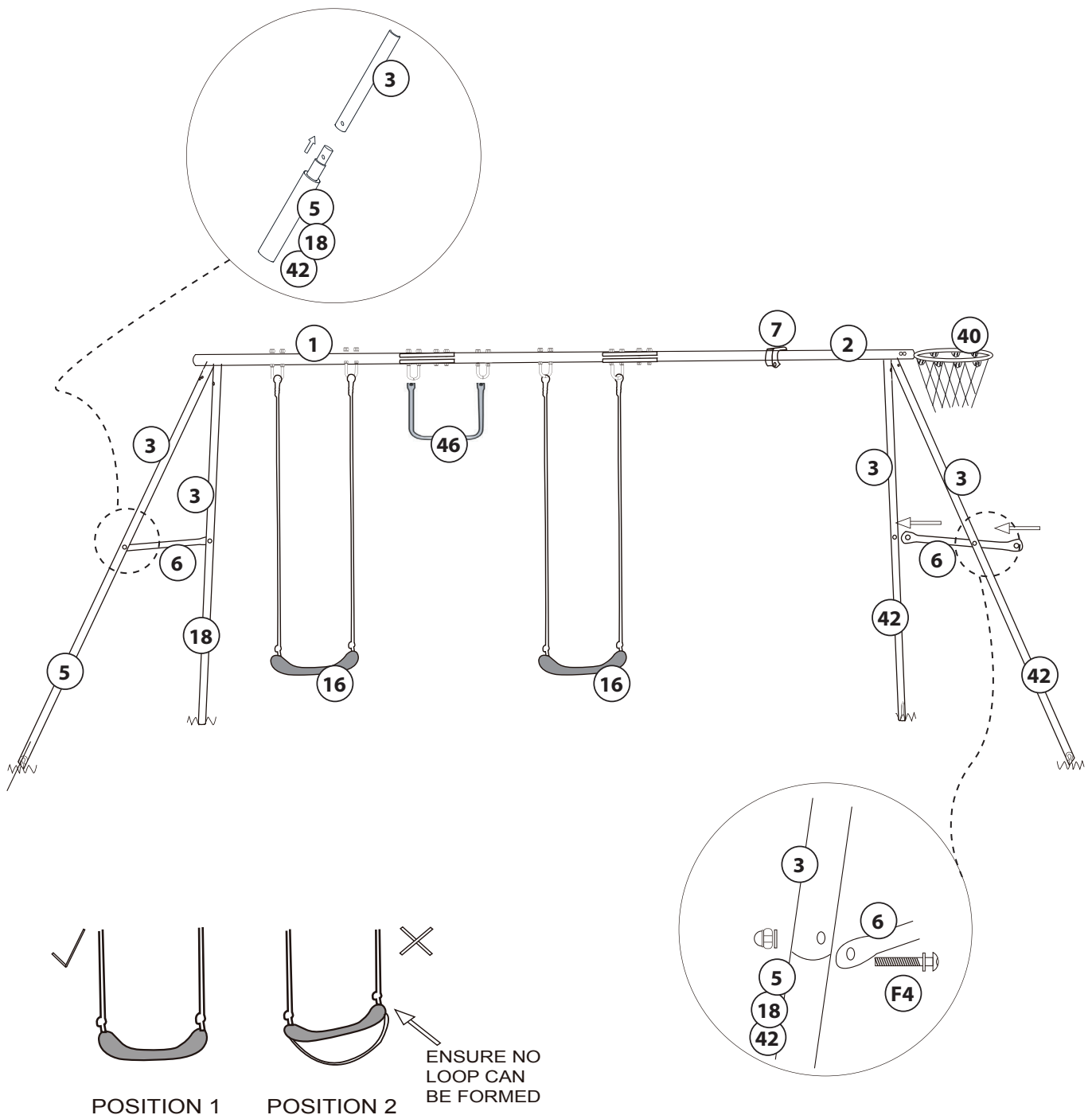


WARNING: BALL RING

This ball ring is not designed to be fixed to any structure other than this swing set. In particular, it must not be fixed to any form of brickwork. Consult a structural engineer if fixing to some structure other than as described in these instructions.

Assembly Instructions (cont)

Step 3



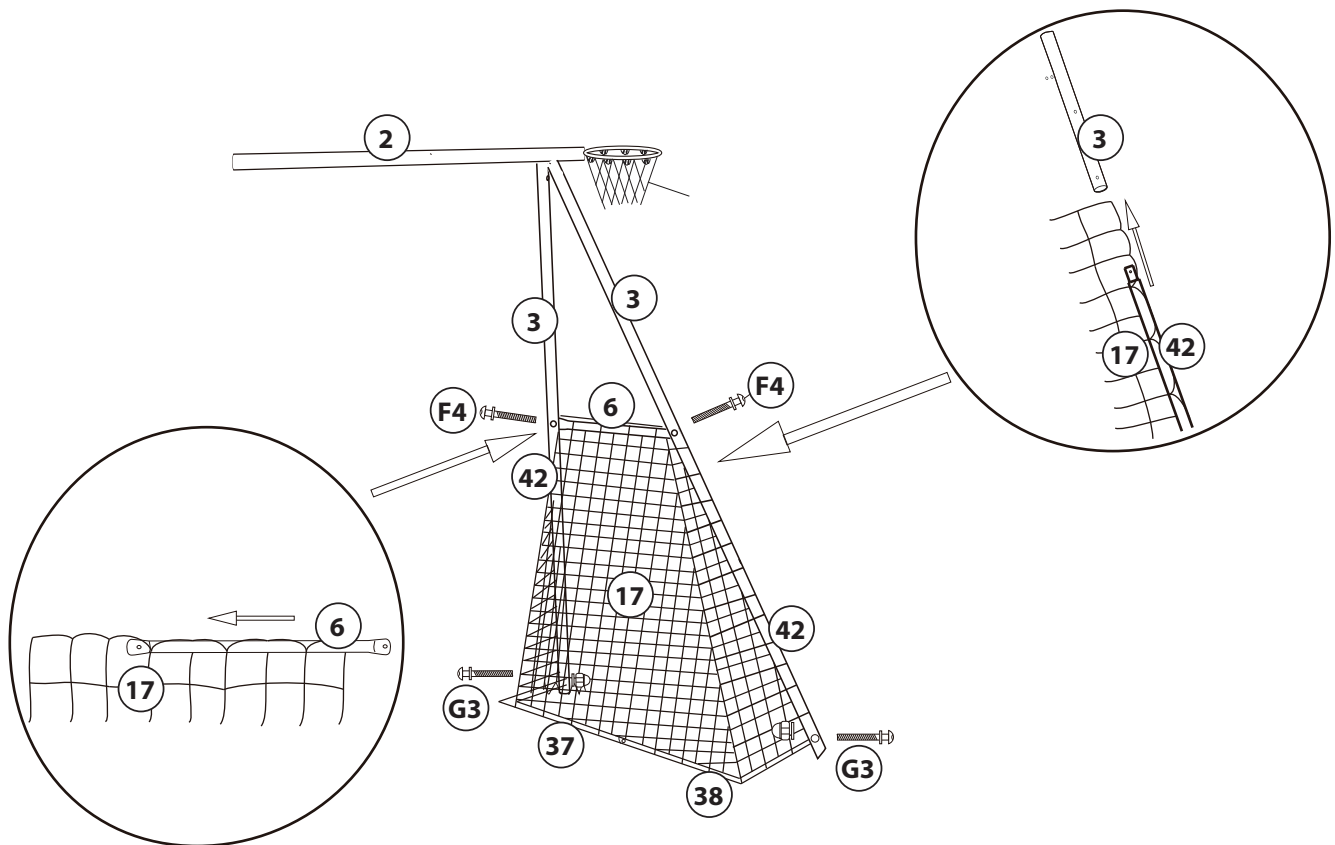
WARNING: The knots on the swings are integral to the safety of the swing. Please ensure they are tight and that the swing is in POSITION 1 as shown in the diagram below. There should be no slack in the rope allowing a loop to form below the swing.

Assembly Instructions (cont)

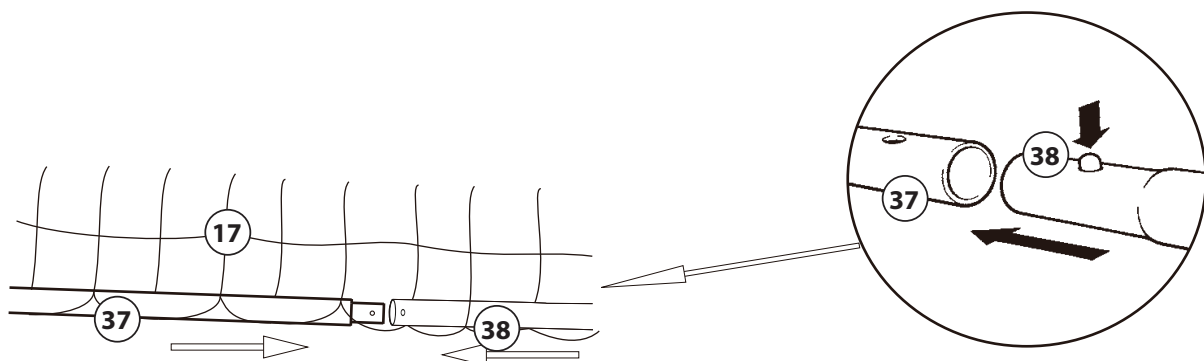
Step 4

Thread the soccer goal net 17 through the metal tubes 42, 6, 37 and 38.

Connect the metal tube 42 and 6 using bolt F4 and the bolt G3 for the metal tube 42 and 37 with 42 and 38.

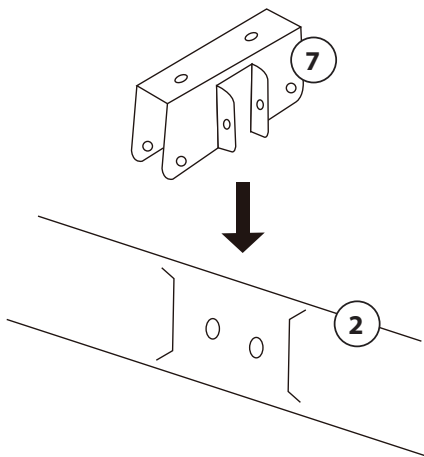


Connect the metal tubes 37 and 38 as shown below.

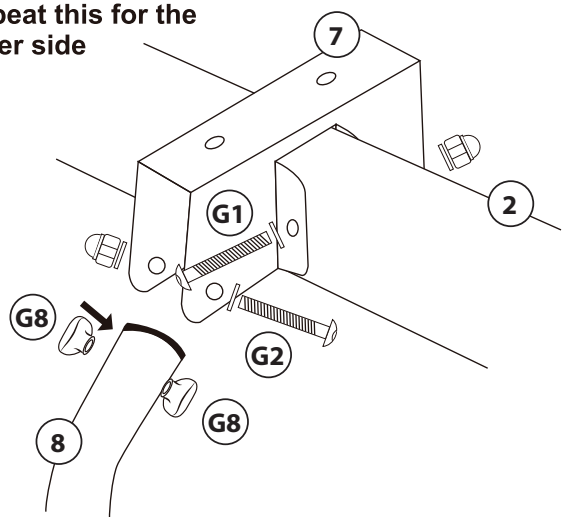


Assembly Instructions (cont)

Step 5

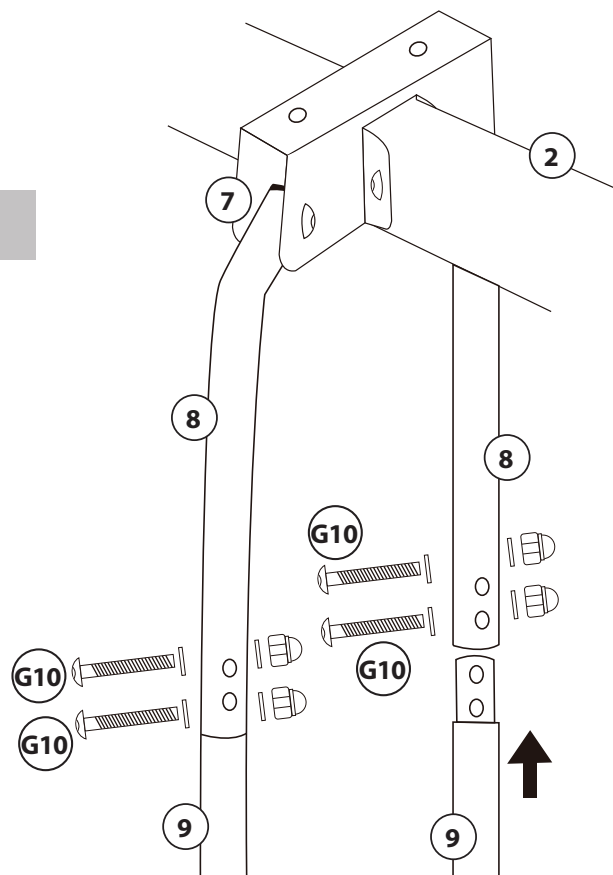


Repeat this for the other side



Step 6

Note: Ensure nuts face inwards (see diagram).

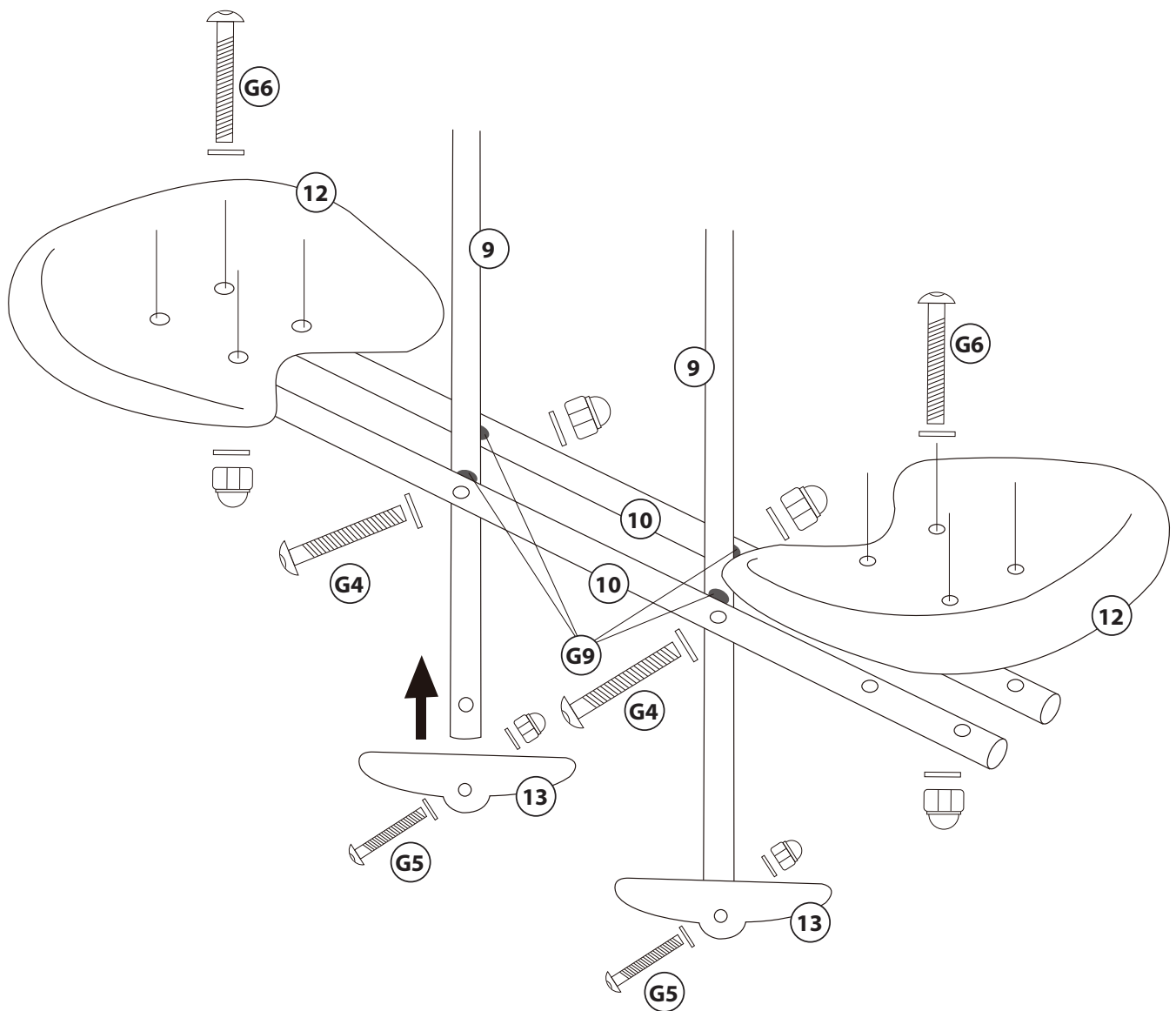


Assembly Instructions (cont)

Step 7

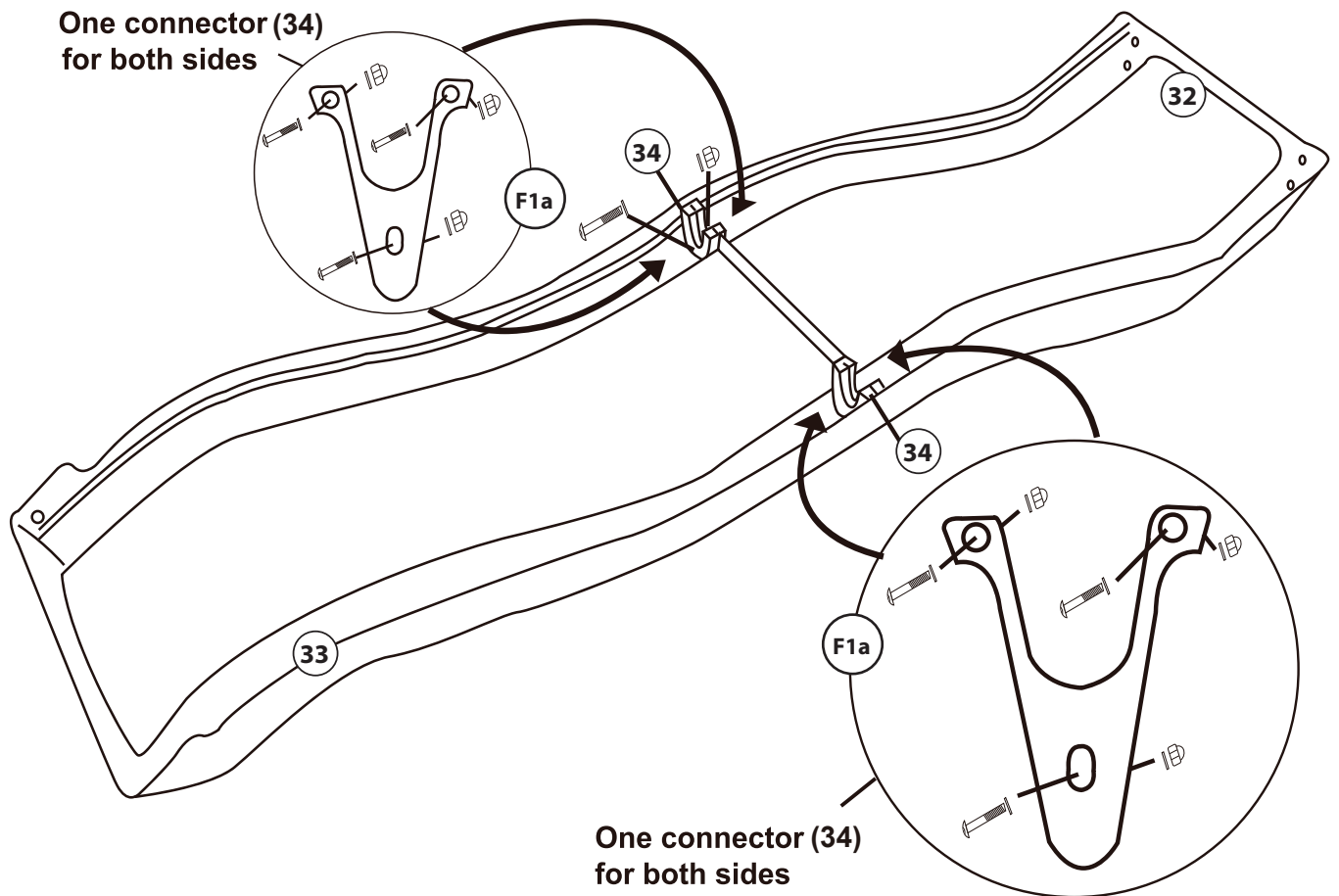
Note: Assemble seats 12 and attach to seat tubes 10 before tightening bolts G4.

Note: Ensure nuts face inwards for both footrests (see diagram).



Assembly Instructions (cont)

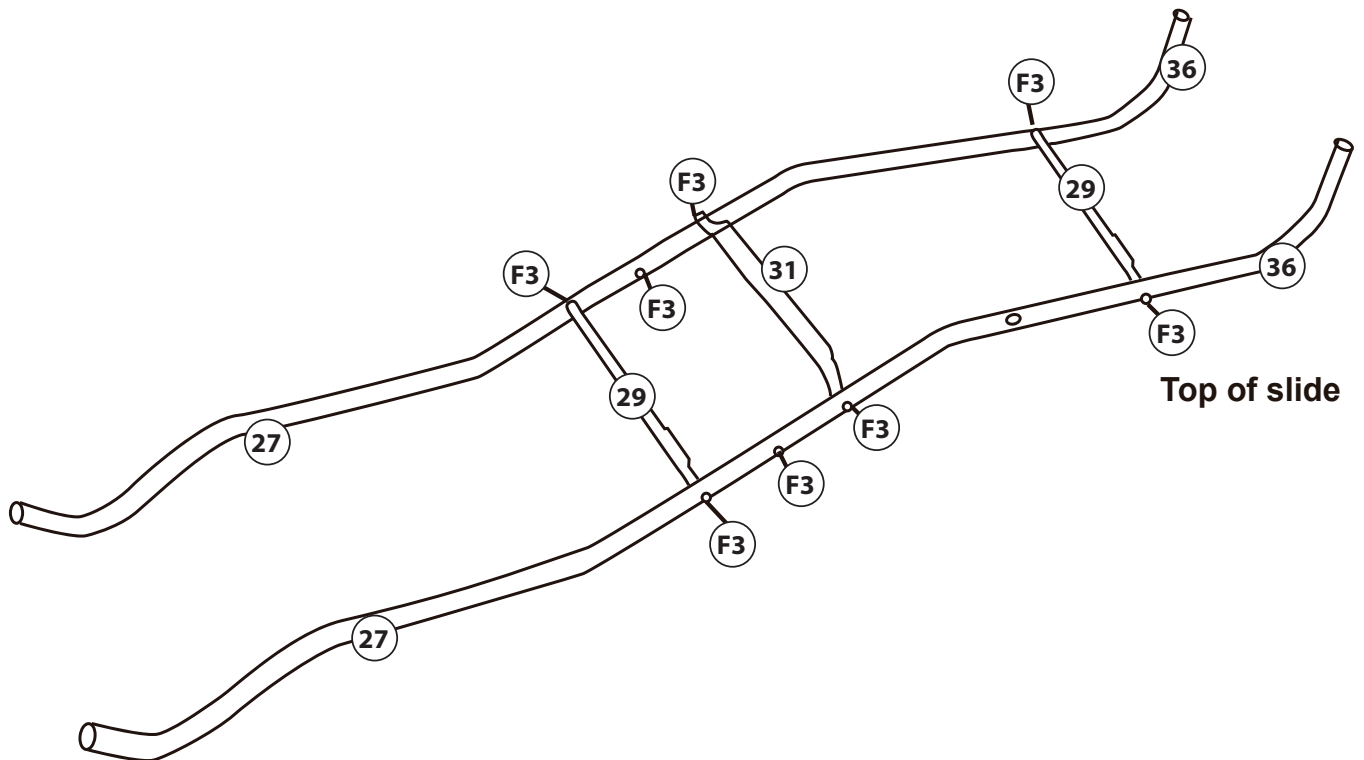
Step 8



Assembly Instructions (cont)

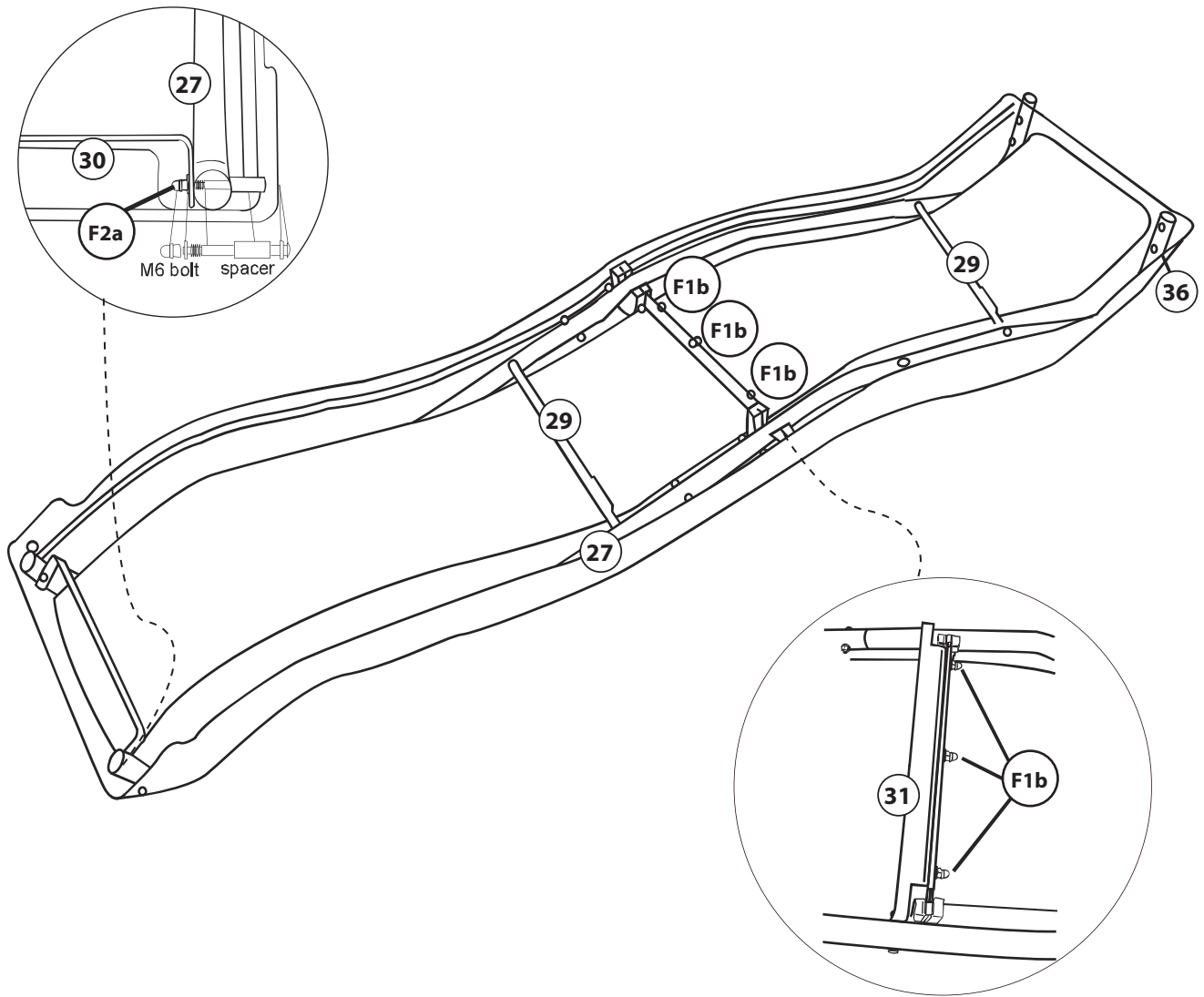
Step 9

Note: The Bolt F3 for support strap 29 and 31 only need to be finger tight.



Assembly Instructions (cont)

Step 10



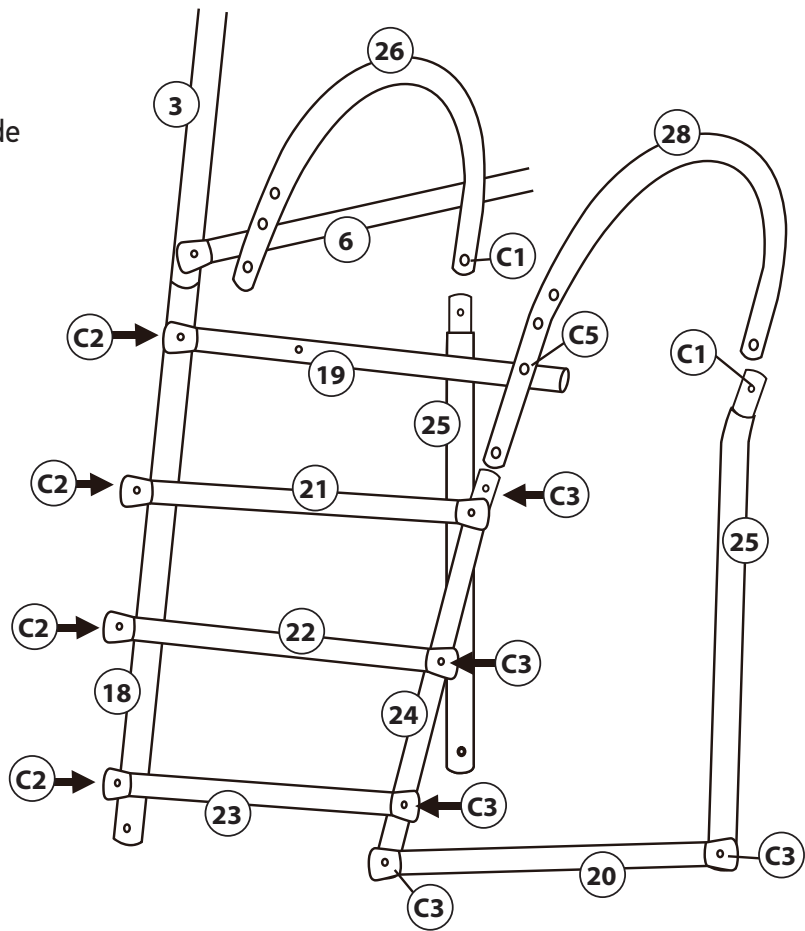
Assembly Instructions (cont)

Step 11

Assemble Chute Stay Bar 20 last.

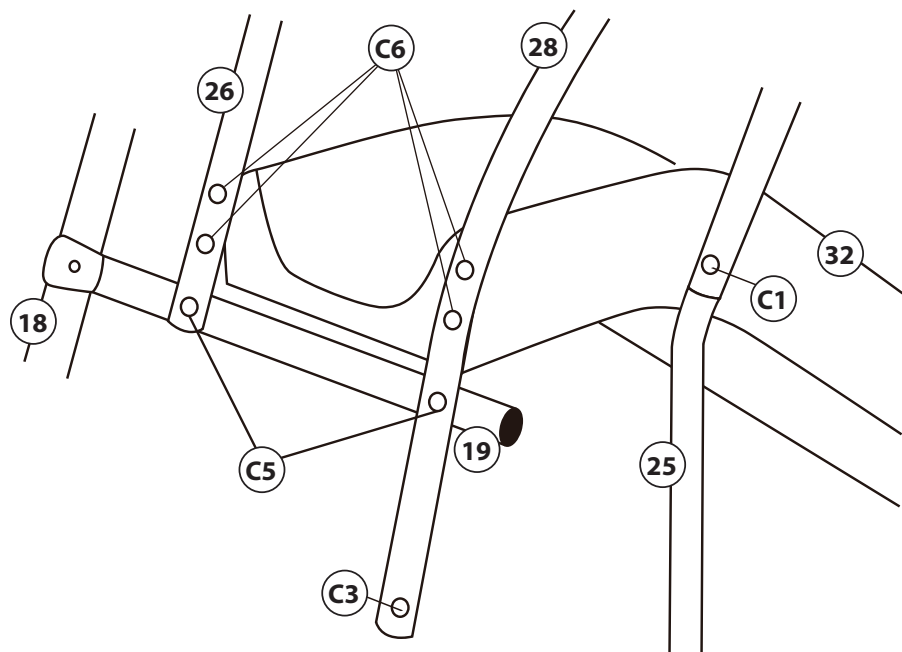
Leave the bolts loose until the slide is assembled to the ladder frame, to make construction easier.

Then tighten firmly.



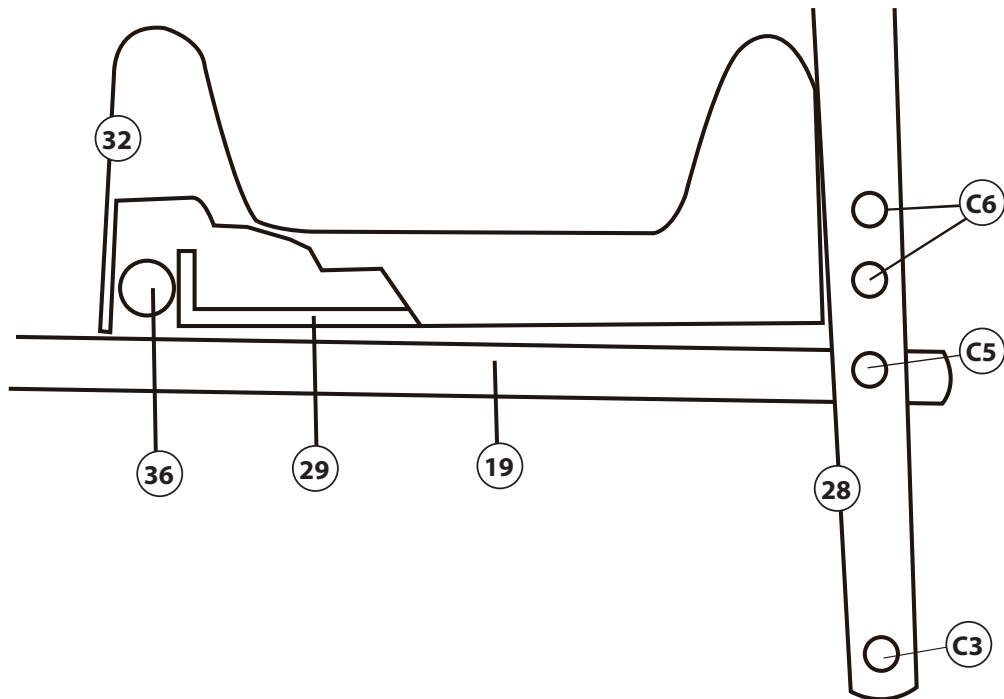
Step 12

Note: Top Ladder Rung 19 is to be fitted behind Ladder Handle 26 and 28 and Plain Bottom Leg 18.



Assembly Instructions (cont)

Step 13



Note: Fully tighten all the bolts at this step.

Assembly Instructions (cont)

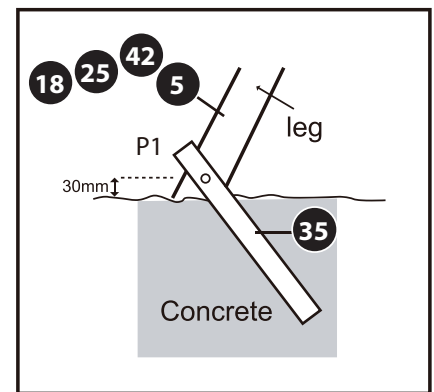
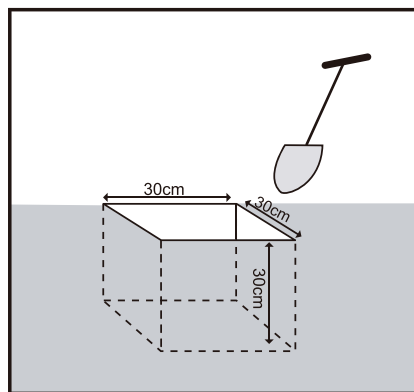
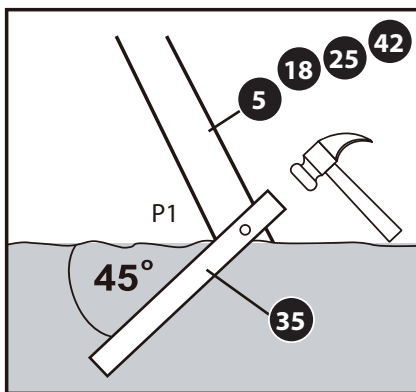
Step 14

Warning: For safety reasons this swing set MUST be anchored into the ground. To carry out this procedure you must hammer the included Ground Pegs into the ground at the angle shown in the picture above. The Ground Pegs must pull into hard earth and hold firmly. We highly recommend that the Ground Pegs be concreted but this is optional. However, if the ground is soft and the Ground Pegs can easily be pulled out by hand once installed then concreting is essential. Contact our Service Centre for more information if you are unsure regarding the installation of the Ground Pegs.

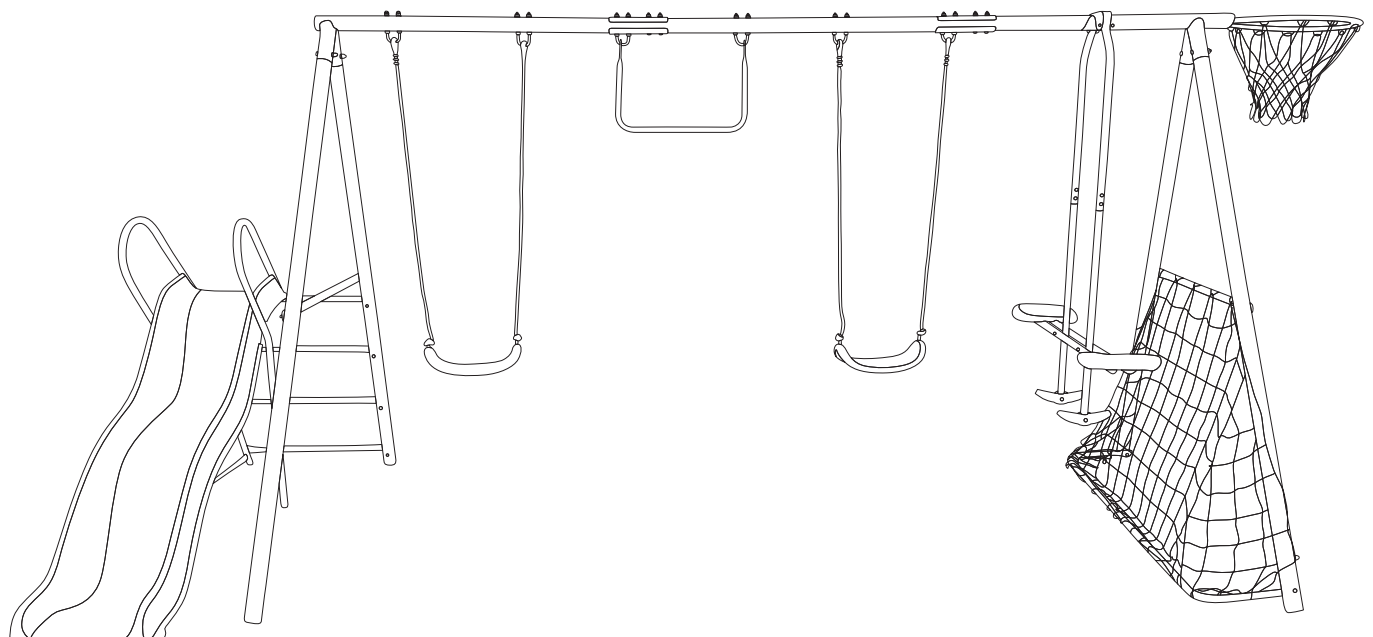
Anchors shall be placed level with or under the ground in order to reduce tripping hazards.

Connect 35 and 25. Secure using M6x47mm Bolts (G1)

Connect 35 and 5, 18, 42 Secure using M6x73mm Bolts (C8)



Once assembly is completed, carefully check equipment. In the unlikely event that you do find any problems, please contact us. DO NOT allow children to use this product until the problem has been corrected.



Product Safety Checks And Maintenance

Carry out checks and maintenance of the main parts at regular intervals. If these checks are not carried out, the toy could overturn or otherwise become a hazard.

Check the sharp edges of all protective covers and bolts, and replace them if necessary.

Check anchors are in place, and level with or under the ground to reduce tripping hazards.

Polish rusty areas and tubular parts and repaint them with lead-free paint if necessary.

Warranty Information

Congratulations on your purchase!

This **7 Station Swing Set** is warranted to be free from defects in material and workmanship under normal use and service conditions for a period of **12 months**, from the date of purchase of this article. Evidence of unfair usage or incorrect adjustment by the owner will void this promise.

Our goods come with guarantees that cannot be excluded under the Australian Consumer Law. You are entitled to a replacement or refund for a major failure and for compensation for any other reasonably foreseeable loss or damage. You are also entitled to have the goods repaired or replaced if the goods fail to be of acceptable quality and the failure does not amount to a major failure.

The benefits conferred by this warranty are in addition to the consumer guarantees and other rights and remedies in respect of the product which the consumer has under the Australian Consumer Law.

Conditions of Warranty

All warranty coverage extends only to the original retail purchaser from the date of purchase. Please keep your receipt, tax invoice or other proof of purchase.

This warranty does not extend to any damage to a product caused by abuse, improper or abnormal usage, or repairs not provided by us or our National Service Centre. Nor does this warranty extend to products used for commercial or rental purposes. This warranty does not cover ordinary wear, tear and weathering, failure to follow directions, improper installation, improper maintenance or acts of God (such as damage caused by storms, lightning, heavy winds and by snow or ice).

Making A Warranty Claim

In order to make a claim under this warranty please direct your enquiries to our National Service Centre. You can contact them on our **Freecall 1300 777 137** number or send mail to them at National Service Centre: 48B Egerton Street, Silverwater, NSW 2128 – if mailing please include your contact details.

A service representative will then assist you in the appropriate action to be taken. For efficient processing of your enquiry please have proof of purchase, the date of purchase, the retailer name you purchased the item from, and the brand on the product. Photos of the product, and scans of receipts, may be requested to assist with your claim.

Warranty Information (cont)

The National Sales and Service Centre representative will assess the claim. If:

- 1) **There is a minor fault**, they can offer either a replacement spare part, replacement unit, repair or other suitable remedy.
- 2) **There is a major fault**, they can offer a replacement, repair or suggest you return to the store you purchased it from for a full refund.

Please NOTE: a request for compensation will need documentary evidence of the loss or damage suffered. It will also need to be evidenced that such a loss was a reasonably foreseeable result of a failure to comply with a consumer guarantee under the Australian Consumer Law.

- 3) **The product was damaged through abnormal use**, no refund or repair can be offered.

The sending of replacements, spare parts or the cost of repair carried out will be organised and covered by the National Service Centre. If collection of the item is required this will be organised by the National Service Centre and at our expense. Do not return any products without authorisation as this will be at your expense.

Our National Sales and Service Centre has been set up to provide assembly assistance, replacement parts and accessories, and to efficiently handle all warranty related matters. Please note upon receiving your warranty claim our National Service Centre will send, via post or email, a repair and refurbished goods or parts notice.

NATIONAL SERVICE CENTRE

Contact details and hours of operation.

Freecall 1300 777 137

9:00am – 4:30pm Monday to Friday (excluding Public Holidays)

9:00am – 3:00pm Saturday

This product is warranted and distributed by:

Uncle Bills Australia of 48B Egerton St, Silverwater NSW, 2128

Phone: (02) 8799 3500

© 2026 Uncle Bills Pty Ltd.

Version No: 3

Issue Date: 16 March 2026